

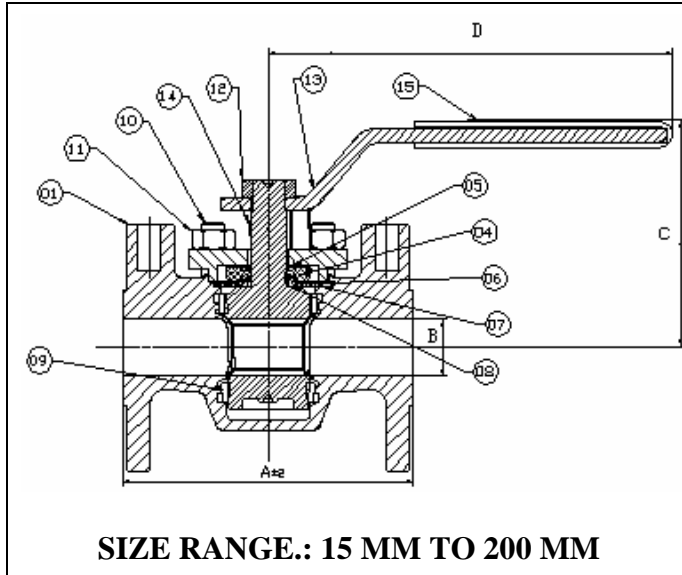
## PLUG VALVE FLANGED

### VALVES DESIGN STANDARD :

Pressure Rating	: 150 #
Design	: BS 5353 & ANSI B 16.34
Face to Face	: ANSI B 16.10
Flange Dim.	: ANSI B16.5 or BS:10
Test Pressure	: BS 6755

### TEST PRESSURE :

	<b>HYDRAUSTATIC</b>	<b>PNEUMATIC</b>
<b>SHELL</b>	450 PSI Or 30 Kg/Cm2.	-
<b>SEAT</b>	300 PSI Or 20 Kg/Cm2.	80 PSI



15	HANDLE COVER	1	PVC
14	CAP BOLT	3	SS 304
13	HANDLE	1	CS Powder Coated
12	HANDLE NUT	1	MS
11	NUT	4	2H
10	STUD	4	B7
9	SLEEVE	1	PTFE
8	DIAPHRAGM	1	PTFE
7	V RING	1	PTFE
6	PLAIN WASHER	1	SS 304
5	GROOVE WASHER	1	SS 304
4	THICK WASHER	1	SS 304
3	PLUG / SPINDLE	1	ASTM A 351 CF8
2	COVER	1	ASTM A 216 WCB
1	BODY	1	ASTM A 216 WCB
<b>SR.</b>	<b>PART NAME</b>	<b>QTY</b>	<b>MATERIAL</b>

### DIMENSIONS :

SIZE	15 mm	20 mm	25 mm	40 mm	50 mm	65 mm	80 mm	100 mm
<b>A</b>	108	118	127	165	178	190	203	229
<b>B</b>	13.4	17.5	25	40	50	65	80	103
<b>C</b>	82	90	101	125	148	153	160	171
<b>D</b>	140	140	175	250	315	315	315	408 + 408

Valve size mm	Flange Dia.				P C D				Thickness				Hole Dia.				No of Hole				RF DIA ASA 150
	D	E	F	ASA 150	D	E	F	ASA 150	D	E	F	ASA 150	D	E	F	ASA 150	D	E	F	ASA 150	
15	95	95	95	89	66.7	66.7	66.7	60.3	9.5	9.5	9.5	11.2	14.3	14.3	14.3	16	4	4	4	4	35
20	102	102	102	98	73.0	73.0	73.0	69.8	9.5	9.5	9.5	11.2	14.3	14.3	14.3	16	4	4	4	4	43
25	114	114	120	108	82.5	82.5	87.3	79.4	9.5	9.5	9.5	11.2	14.3	14.3	17.5	16	4	4	4	4	51
40	133	133	140	127	98.4	98.4	104.7	98.4	12.7	12.7	12.7	14.3	14.3	14.3	17.5	16	4	4	4	4	73
50	152	152	165	152	114.3	114.3	127.0	120.6	14.3	14.3	16.0	15.9	17.5	17.5	17.5	19	4	4	4	4	92
65	165	165	184	178	127.0	127.0	146.0	139.7	14.3	14.3	16.0	17.5	17.5	17.5	17.5	19	4	4	8	4	105
80	184	184	203	191	146.0	146.0	165.0	152.4	14.3	14.3	16.0	19.0	17.5	17.5	17.5	19	4	4	8	4	127
100	216	216	229	229	177.8	177.8	190.5	190.5	17.5	17.5	19.0	23.8	17.5	17.5	17.5	19	4	8	8	8	157

Valve Size 150 mm and 200 mm will be Gear Operated.

Note : Data given are subjects to change without notice.