

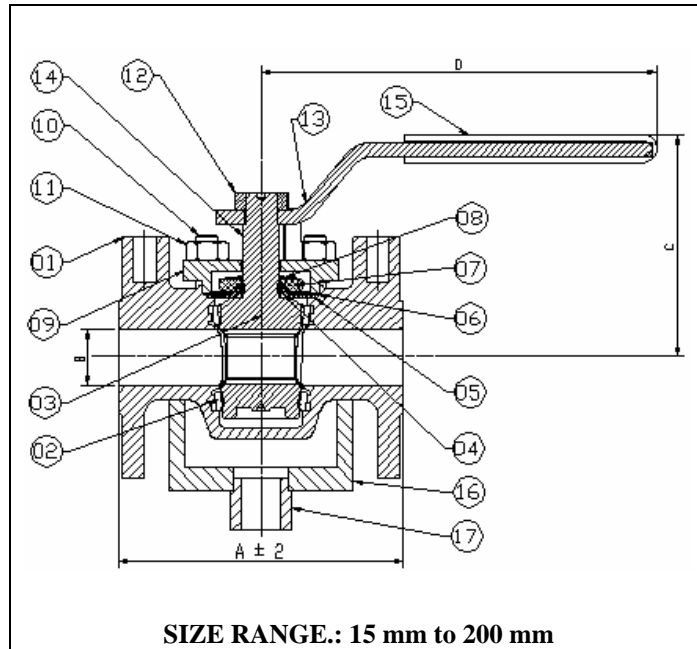
## HALF / PARTIAL JACKETED PTFE SLEEVED PLUG VALVE FLANGED

### VALVES DESIGN STANDARD:

|                 |                          |
|-----------------|--------------------------|
| Pressure Rating | : 150 #                  |
| Design          | : BS 5353 & ANSI B 16.34 |
| Face to Face    | : ANSI B 16.10           |
| Flange Dim.     | : ANSI B16.5 or BS:10    |
| Test Pressure   | : BS 6755                |

### TEST PRESSURE :

|              | HYDRAUSTATIC          | PNEUMATIC |
|--------------|-----------------------|-----------|
| <b>SHELL</b> | 450 PSI Or 30 Kg/Cm2. | -         |
| <b>SEAT</b>  | 300 PSI Or 20 Kg/Cm2. | 80 PSI    |



| SR. | PART NAME      | QTY | MATERIAL        |
|-----|----------------|-----|-----------------|
| 17  | CONNECTOR      | 3   | MS (BSP/NPT)    |
| 16  | JACKET         | 1   | MS (Fabricated) |
| 15  | HANDLE COVER   | 1   | PVC             |
| 14  | CAP BOLT       | 3   | SS 304          |
| 13  | HANDLE         | 1   | CS              |
| 12  | HANDLE NUT     | 1   | MS              |
| 11  | NUT            | 4   | 2H              |
| 10  | STUD           | 4   | B7              |
| 9   | SLEEVE         | 1   | PTFE            |
| 8   | DIAPHRAGM      | 1   | PTFE            |
| 7   | V RING         | 1   | PTFE            |
| 6   | PLAIN WASHER   | 1   | SS 304          |
| 5   | GROOVE WASHER  | 1   | SS 304          |
| 4   | THICK WASHER   | 1   | SS 304          |
| 3   | PLUG / SPINDLE | 1   | SS 304 / SS316  |
| 2   | COVER          | 1   | ASTM A 216 WCB  |
| 1   | BODY           | 1   | ASTM A 216 WCB  |

### DIMENSIONS :

| SIZE     | 15 mm | 20 mm | 25 mm | 40 mm | 50 mm | 65 mm | 80 mm | 100 mm    |
|----------|-------|-------|-------|-------|-------|-------|-------|-----------|
| <b>A</b> | 108   | 118   | 127   | 165   | 178   | 190   | 203   | 229       |
| <b>B</b> | 13.4  | 17.5  | 25    | 40    | 50    | 65    | 80    | 103       |
| <b>C</b> | 82    | 90    | 101   | 125   | 148   | 153   | 160   | 171       |
| <b>D</b> | 140   | 140   | 175   | 250   | 315   | 315   | 315   | 408 + 408 |

| Valve size mm | Flange Dia. |     |     |         | P C D |       |       |         | Thickness |      |      |         | Hole Dia. |      |      |         | No of Hole |   |   |         | RF DIA ASA 150 |
|---------------|-------------|-----|-----|---------|-------|-------|-------|---------|-----------|------|------|---------|-----------|------|------|---------|------------|---|---|---------|----------------|
|               | D           | E   | F   | ASA 150 | D     | E     | F     | ASA 150 | D         | E    | F    | ASA 150 | D         | E    | F    | ASA 150 | D          | E | F | ASA 150 |                |
| 15            | 95          | 95  | 95  | 89      | 66.7  | 66.7  | 66.7  | 60.3    | 9.5       | 9.5  | 9.5  | 11.2    | 14.3      | 14.3 | 14.3 | 16      | 4          | 4 | 4 | 4       | 35             |
| 20            | 102         | 102 | 102 | 98      | 73.0  | 73.0  | 73.0  | 69.8    | 9.5       | 9.5  | 9.5  | 11.2    | 14.3      | 14.3 | 14.3 | 16      | 4          | 4 | 4 | 4       | 43             |
| 25            | 114         | 114 | 120 | 108     | 82.5  | 82.5  | 87.3  | 79.4    | 9.5       | 9.5  | 9.5  | 11.2    | 14.3      | 14.3 | 17.5 | 16      | 4          | 4 | 4 | 4       | 51             |
| 40            | 133         | 133 | 140 | 127     | 98.4  | 98.4  | 105   | 98.4    | 12.7      | 12.7 | 12.7 | 14.3    | 14.3      | 14.3 | 17.5 | 16      | 4          | 4 | 4 | 4       | 73             |
| 50            | 152         | 152 | 165 | 152     | 114.3 | 114.3 | 127.0 | 120.6   | 14.3      | 14.3 | 16.0 | 15.9    | 17.5      | 17.5 | 17.5 | 19      | 4          | 4 | 4 | 4       | 92             |
| 65            | 165         | 165 | 184 | 178     | 127.0 | 127.0 | 146.0 | 139.7   | 14.3      | 14.3 | 16.0 | 17.5    | 17.5      | 17.5 | 17.5 | 19      | 4          | 4 | 8 | 4       | 105            |
| 80            | 184         | 184 | 203 | 191     | 146.0 | 146.0 | 165.0 | 152.4   | 14.3      | 14.3 | 16.0 | 19.0    | 17.5      | 17.5 | 17.5 | 19      | 4          | 4 | 8 | 4       | 127            |
| 100           | 216         | 216 | 229 | 229     | 177.8 | 177.8 | 190.5 | 190.5   | 17.5      | 17.5 | 19.0 | 23.8    | 17.5      | 17.5 | 17.5 | 19      | 4          | 8 | 8 | 8       | 157            |

Valve Size 150 mm and 200 mm will be Gear Operated.

Note : Data given are subjects to change without notice.